



2023 Annual Bridge Report



Prepared by the Whatcom County Public
Works Bridge and Hydraulic Group
Submitted September 2023

Whatcom County

2023 Bridge Report

Submitted: September 2024

This bridge report is prepared by Whatcom County Public Works Bridge and Hydraulic Section under the direction of the County Engineer each year to fulfill requirements of the Washington Administrative Code (WAC) 136-20-060. This WAC requires the County Engineer's report of bridge inspections as follows:

“Each county engineer shall furnish the county legislative authority with a written report of the findings of the bridge inspection effort. This report shall be made available to said authority and shall be consulted during the preparation of the proposed six-year transportation program revision. The report shall include the county engineer's recommendations as to replacement, repair or load restriction for each deficient bridge. The resolution of adoption of the six-year transportation program shall include assurances to the effect that the county engineer's report with respect to deficient bridges was available to said authority during the preparation of the program. It is highly recommended that deficient short span bridges, drainage structures, and large culverts be included in said report.”

Prepared by: Carl J Hendricks
Carl Hendricks
Bridge Inspection Team Lead – Bridge & Hydraulics

Reviewed by: James E. Lee
James E. Lee, P.E.
Engineering Manager – Bridge & Hydraulics

Approved by: Doug Ranney
Douglas W. Ranney II, P.E.
County Engineer

Cover Photo:

The Nulle Road/Friday Creek Bridge No. 106 Structural Rehabilitation project was completed in the summer of 2023. This project added carbon fiber reinforced polymer strips to the existing girders along with other improvements. This work allowed for the existing load restrictions to be removed and the bridge opened to all legal loads.

Table of Contents

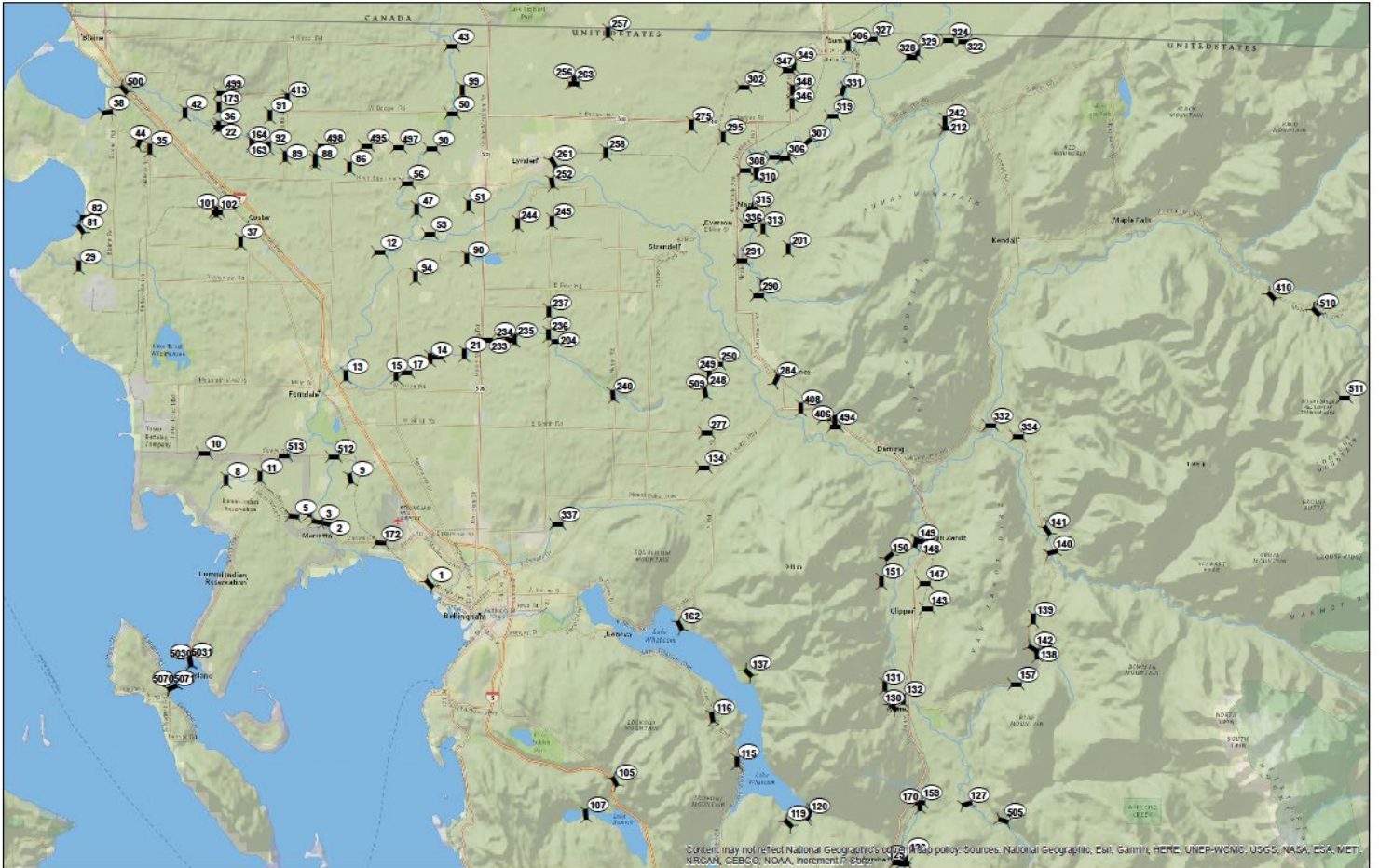
WAC 136-20-060 and signature page	2
Table of Contents	3
Acronyms	4
Whatcom County Bridge Location Map.....	5
Executive Summary.....	6
Bridge Inventory Summary.....	7
Bridge Inspection and Findings	9
Load, Height and Width Restricted Bridges.....	11
Bridge Replacement and Rehabilitation Plan for Deficient Bridges.....	14
Maintenance and Repair Activities.....	16
Glossary of Bridge Terms.....	20
Appendix A – Whatcom County Bridge Inventory.....	24
Appendix B – Large Culvert Inventory.....	31

Acronyms

The following is a list of common acronyms widely used in the bridge inspection field:

ADT	Average Daily Traffic
BRAC	Bridge Replacement Advisory Committee
FHWA	Federal Highway Administration
FO	Functionally Obsolete
HBRRP	Highway Bridge Replacement and Rehabilitation Program
NBIS	National Bridge Inspection Standards
SD	Structurally Deficient
SID	Structure Identification Number
SR	Sufficiency Rating
UBIT	Under Bridge Inspection Truck
WAC	Washington Administrative Code
WSDOT	Washington State Department of Transportation

Whatcom County Bridge Location Map



Executive Summary

This report has been completed in compliance with WAC 136-20-060, which requires that each County Engineer furnish a written resume of the county's bridge inspection efforts to the county legislative authority. It is also the intention of this report that information presented here be incorporated into a comprehensive program strategy to preserve the county's roadways. This report summarizes the status of the Whatcom County Bridge Program for calendar year 2023.

Whatcom County's bridge inventory is vital in connecting the nearly 974 miles of County roads and providing for the safe and efficient movement of people and freight. Specifically, bridges on key transportation and freight corridors are monitored closely to prevent bridges on these routes from becoming restricted.

One of the key overall Bridge Program goals is to replace or rehabilitate bridges that are considered structurally deficient (SD) per the National Bridge Inspection Standards (NBIS). At the end of 2023 Whatcom County had a total of 163 bridges in the overall inventory and 10 of these bridges were designated as SD. Of those 10 bridges, 5 were actively worked on in 2023 for future replacement or rehabilitation. For a comprehensive list of the SD bridges please see Exhibit C.

As recommended in WAC 136-20-060 Whatcom County also inspects large culverts with a diameter of 4' or larger. Bridge Program staff inspected 236 of these structures in 2020 and 2021. A complete list of these large diameter culverts is included in Appendix B.

Significant progress was made in developing a formal fish passage barrier removal program by adding three new positions (engineering supervisor, engineer, engineering technician) to the Bridge and Hydraulic program late in calendar year 2023. The focus of this group will be the delivery of fish passage barrier removal projects in coordination with various divisions within Public Works and key outside stakeholders including the Lummi Nation, Nooksack Tribe and the Washington State Department of Fish and Wildlife.

2023 Bridge Program Highlights

- Whatcom County bridge inventory consists of 163 structures.
- A total of 82 Whatcom County bridge condition inspections were completed in 2023.
- Whatcom County provided bridge inspection services for 59 structures owned by outside local agencies.
- A total of 98 bridge repair and maintenance items were completed by the Maintenance & Operations Bridge Crew.
- Construction of the Nulle Road/Friday Creek Bridge No. 106 Structural Rehabilitation Project was completed.
- Continued design, real estate and environmental permitting work on the following key projects:
 - North Lake Samish Bridge No. 107 Replacement (bid advertisement for construction phase occurred in late 2023)
 - Goshen Road Bridge No. 248 Replacement

- Jackson Road Bridge No. 81 Replacement (project delayed due to November 2021 flood response efforts)
- North Fork Kenney Creek Fish Passage Project
- Fox Road Fish Passage Project
- Birch Bay Lynden Road Culvert Replacement (both November 2021 flood emergency repairs and work on permanent repair)
- Lummi Island Ferry Replacement & System Modernization Project

Bridge Inventory Summary

Of the 163 structures in the Whatcom County inventory 5 are all timber construction, 101 are of primarily concrete construction, 7 are predominately steel (all of which are fracture critical) and the remainder are a combination of these materials. See Appendix A for a complete list of Whatcom County Bridges.



Goshen Road/Anderson Creek Bridge No. 248 is typical of the concrete channel beam girder with timber pile and cap construction which is the most prevalent bridge type in the county inventory.

Lummi Island Ferry Terminals

The Gooseberry Point and Lummi Island Ferry Terminal approach and transfer spans are considered bridge structures and are inspected and maintained just like the other bridges in the county inventory. These consist of a steel transfer span and a timber approach span at the Gooseberry Point terminal and a steel transfer span and a reinforced concreted girder approach span at the Lummi Island terminal.



Gooseberry Point Terminal

Short Span Bridges

The National Bridge Inspection Standards do not require short span bridges (span length of 20 feet or less) be reported to FHWA. Out of the 163 bridges in the Whatcom County inventory, 25 of these bridges are classified as short span bridges. Even though the inspection reports and bridge information for short span bridges are not reported to WSDOT or FHWA, Whatcom County inspects and operates these bridges the same as the larger, federally reported bridges in our inventory.

Outside Local Agency Bridges

The Whatcom County Bridge program provides inspection services to local agencies upon request and when there is sufficient capacity and no compromise to the county program. The county works with cities under inter-local agreements (ILA), with conditions set forth in the Revised Code of Washington (RCW) Chapter 39.34. The county's services are provided primarily to local agencies that lack expertise and resources to inspect and maintain their bridge inventory. In 2023 the county provided inspection services on 59 structures for outside local agencies.

Local Agency	Number of bridges inspected in 2023
City of Lynden	12
City of Nooksack	2
City of Bellingham	43
Port of Bellingham	2 (ferry terminal)

Oversize/Overweight Load Permits

There were 77 oversize/overweight permits issued in 2023 and of those 38 involved routes over county owned bridges. Bridge program staff reviews these applications to ensure that these oversize/overweight loads can cross these bridges without causing any harm to the structure.



Height restriction sign posted on the Slater Road/Nooksack River Bridge No. 512

Bridge Inspections and Findings

Bridge inspections are performed in accordance with the National Bridge Inspection Standards (NBIS) in conformance with 23 CFR 650.3. The standards mandate that all public agencies with a bridge inventory inspect and report the findings at a minimum of once every two years (routine inspection). Special inspections are required for bridges that cannot be given close or adequate inspection from the ground. For these bridges an Under-Bridge Inspection Truck (UBIT) is required. Steel bridges with fracture critical members may also require special inspections with special inspection equipment. A third category of special inspections are the Under Water Inspections which are required every five years for bridges with piers that extend below ordinary low-water levels.

During bridge inspections, the current condition of each bridge element is noted. The deficiencies are coded to NBIS standards and show the degree of deterioration in various elements, the three primary elements being:

- Deck,
- Superstructure, and
- Substructure.

As deterioration accelerates, the coding values drop and work orders for repairs are issued. In the case where the coding factors are extremely low, recommendations are made for repair, replacement or rehabilitation. Bridges with identified deficiencies may be inspected or monitored at more frequent

intervals. The results of our inspection program are forwarded to the Washington State Department of Transportation (WSDOT) for review. Once the report has been accepted by WSDOT it is made available to the Federal Highway Administration (FHWA).

The NBIS utilizes information from the latest bridge inspection to determine the Sufficiency Rating (SR) which is a calculated rating based on information from the most recent bridge inspection. The SR is a number from 0 to 100 with 100 being an entirely sufficient bridge, and 0 being an entirely insufficient or deficient bridge. Items that factor into the determination of the SR include: load bearing capacity, average daily traffic, availability and length of detour, the geometry of the bridge and the risk of scour on bridge foundations at waterway crossings.

Whatcom County owns 2 bridges located on designated truck freight routes with a T-2 classification (there are no T-1 routes currently designated on Whatcom County roads). T-2 freight routes are defined as carrying 4 million to 10 million annual gross tonnage and serve as vital transportation corridors in Whatcom County. Hannegan Road from State Route 542 (Mt. Baker Highway) north to State Route 544 (Pole Road) is classified as a T-2 freight route and includes two county owned bridges; Hannegan Road/Ten Mile Creek Bridge No. 236 and Hannegan Road/Four Mile Creek Bridge No. 237. Both of the bridges are open unrestricted to full legal loads allowing for the efficient and safe movement of freight and goods.

See Exhibit A for our master list of special inspections and details on inspection frequencies and schedules for all of our UBIT and underwater bridge inspections.

In late 2023 work started to convert existing hard copy bridge files to electronic files. This work is being completed per state and federal guidelines and is expected to be completed in the next year or two. Ensuring that all legally required bridge documents are electronically filed will help with quality control and will make future bridge program audits much more efficient.



Photo of M&O's bridge inspection platform in use on Mosquito Lake Road/NF Nooksack River Bridge No. 332

Exhibit “A” - Master List of Special Inspection and Equipment Needs

Bridge #	Bridge Name	Most Recent Fracture Critical Inspection Date	Most Recent Underwater Inspection Date	UBIT/Platform Frequency
1	MARINE DRIVE	-	-	72 months
3	MARIETTA	-	September 2022	72 months
35	CALIFORNIA CREEK	-	-	72 months
107	NORTH LAKE SAMISH	-	July 2020	
115	HIGH BRIDGE	-	-	48 months
127	SAXON ROAD	-	-	72 months
140	MIDDLE FORK	August 2022	-	24 months
148	POTTER ROAD	-	-	72 months
252	NOOKSACK RIVER	March 2022	September 2022	24 months
332	NORTH FORK	April 2023	-	24 months
421	ROCKY CREEK	April 2023	-	24 months
500	DAKOTA CREEK	-	-	48 months
503	GOOSEBERRY FERRY SLIP	October 2022	March 2021	-
507	LUMMI ISLAND FERRY SLIP	October 2022	March 2021	-
512	NOOKSACK RIVER	April 2023	-	24 months

Load, Height and Width Restricted Bridges

Each bridge is required to have a "Load Rating" calculation. The Load Rating establishes how much weight the bridge can carry for several standard configurations of vehicle axle loads. Bridges which have load rating factors less than 1 are required to have the applicable weight restriction posted. At the end of 2023 Whatcom County had 35 bridges posted for weight restrictions.

In 2017 WSDOT introduced new load posting requirements issued by FHWA regarding the load rating and posting of Single Unit Vehicles (SUV) and Emergency Vehicles for bridges which fall under the NBIS. SUV's are single unit trucks with tightly spaced axles such as garbage trucks and construction equipment which have become more prevalent during the last decade. SUV truck configurations range from 4 to 7-axles.

FHWA requires that all Group 1 bridges, defined as a bridge with an AASHTO 1, 2 or 3 rating factor of less than 1.3, have a new load rating completed by June 2020. Whatcom County has approximately 58 bridges which fall in this Group 1 category. Whatcom County completed all of these Group 1 bridges in August of 2019, well ahead of schedule. The remainder of the bridge inventory is included in the Group 2 load rating effort which begin in 2020 and was required to be completed by December 31, 2022. After a significant amount of work these Group 2 load ratings were completed by the end of 2022, meeting the

federal deadline requirement. This was a significant achievement as many agencies across the state did not meet this deadline and meeting this important bridge program metric positions Whatcom County to be very competitive in pursuing federal bridge program funding.

Bridges that have height restrictions of 15'-3" or less are required to be posted with the allowable height. Whatcom County has two roads passing through height restricted bridge structures, both of which are steel truss structures. They are Slater Road/Nooksack River Bridge No. 512 and Mosquito Lake Road/Middle Fork Nooksack River Bridge No. 140. The list of current load, height and width restricted bridges is shown in Exhibit 'B'.

Exhibit "B" – Load, Height and Width Restricted Bridges

Bridge No.	Road Name	Features Crossed	Restricted Width (FT)	Restricted Vertical Clearance (FT)	Bridge Posted for Load Restriction
13	BARRETT ROAD	BARRETT CREEK			Yes
14	ALDRICH ROAD	TENMILE CREEK			Yes
15	NORTHWEST DRIVE	TENMILE CREEK			Yes
30	LOOMIS TRAIL ROAD	BERTRAND CREEK			Yes
44	BRIDGE WAY	CALIFORNIA CREEK	16		Yes
51	FLYNN ROAD	FISHTRAP CREEK	16		Yes
53	RIVER ROAD	FISHTRAP CREEK			Yes
81	JACKSON ROAD.	TERRELL CREEK			Yes
91	STEIN ROAD	DAKOTA CR. TRIB.			Yes
105	MANLEY ROAD	SILVER CREEK	11.3		
107	N. LAKE SAMMISH DRIVE	LAKE SAMMISH	12		Yes
130	TURKINGTON ROAD	JONES CREEK			Yes
147	NELSON ROAD	BLACK SLOUGH			Yes
132	HUDSON ROAD	JONES CREEK	15		
140	MOSQUITO LK ROAD	MIDDLE FORK	13.2	18	
149	POTTER ROAD	SLOUGH			Yes
151	HILLSIDE ROAD	SIGITOWITZ CREEK			Yes
163	CUSTER SCHOOL ROAD	DAKOTA CR TRIB			Yes
164	CUSTER SCHOOL ROAD	DAKOTA CREEK			Yes
173	VALLEY VIEW ROAD	HAYNIE CREEK			Yes
206	GARRISON ROAD	SUMAS RIVER			Yes
248	GOSHEN ROAD	ANDERSON CREEK			Yes
250	MARTIN ROAD	ANDERSON CREEK			Yes
256	ASSINK ROAD	FISHTRAP CREEK			Yes
284	LIND ROAD	SMITH CREEK			Yes
290	MACK ROAD	SUMAS RIVER			Yes
295	VAN BUREN ROAD	JOHNSON CREEK			Yes
303	LINDSAY ROAD	SUMAS RIVER			Yes
308	ALM ROAD	SUMAS RIVER			Yes
309	GILLIES ROAD	SUMAS RIVER			Yes
310	GILLIES ROAD	SUMAS RIVER			Yes
313	OAT COLES ROAD	SWIFT CREEK	15		
327	JONES ROAD	SUMAS RIVER			Yes
332	MOSQUITO LK RD	NORTH FORK			Yes

Bridge No.	Road Name	Features Crossed	Restricted Width (FT)	Restricted Vertical Clearance (FT)	Bridge Posted for Load Restriction
413	DELTA LINE ROAD	DAKOTA CREEK			Yes
503	FERRY-LUMMI TRANSFER SPAN	HALE PASSAGE	12		Yes
503A	FERRY-LUMMI APPROACH	HALE PASSAGE			Yes
506	HERON LANE	JOHNSON CREEK	12		
507	FERRY-GP TRANSFER SPAN	HALE PASSAGE	14		Yes
507A	FERRY-GP APPROACH	HALE PASSAGE	14		Yes
510	COAL CREEK ROAD	GALLOP CREEK	14		
512	SLATER ROAD	NOOKSACK RIVER		15	



Posted weight restrictions for Jackson Road/Terrell Creek Bridge No. 81 showing AASHTO 1, 2 & 3 and single unit vehicles 4-axles through 7-axles restrictions.

Bridge Replacement and Rehabilitation Plans for Structurally Deficient Bridges

One area of emphasis within the Bridge Program is to address bridges that are classified as structurally deficient (SD) per NBIS. This is typically done via either replacement or rehabilitation of the structurally deficient structure. The five (5) SD bridges listed below were actively worked on in 2023:

1. North Lake Samish Bridge No. 107 Replacement - TS&L completed in 2017, design, permitting and real estate work to be completed in 2022. Approximately \$10.9 million in federal bridge replacement funds have been secured for the construction phase of this project which will occur in 2024 and 2025.
2. Jackson Road/Terrell Creek Bridge No. 81 Replacement – TS&L initiated in 2020 including community engagement and preliminary engineering work. Whatcom County was awarded approximately \$4 million in federal bridge replacement funds for this project in 2022. Work on this project was delayed in 2022 due to reallocation of resources to address November 2021 emergency flood response. Construction year is yet to be determined for this project.
3. Goshen Road/Anderson Creek Bridge No. 248 Replacement – approximately \$4 million in federal bridge replacement funds have been received for the design and construction phases of this project. Design work began in late 2020 with construction scheduled in 2026.
4. Gooseberry Pt Approach Span, No. 503A – design work completed in 2020 for repairs to this all timber structure which include cap repairs, cross bracing replacement, pedestrian structure support repairs and timber decking replacement. Work will be accomplished by M&O forces over the next few years as schedule allows.
5. Martin Road/Anderson Creek Bridge No. 250 – Whatcom County was awarded \$4.7 million in federal bridge replacement funds for this project in late 2023. Funding obligation to begin in 2024 with preliminary engineering work to follow.

The list of current SD bridges is shown in Exhibit 'C.'

2023 Bridge Program Construction Projects

Nulle Road/Friday Creek Bridge No. 106 Structural Rehabilitation Project

This project included the installation of carbon fiber reinforced polymer wraps to the existing girders as well as the repair of concrete spalls and cracks. Work also included removing the asphalt overlay from the bridge deck to reduce dead load. This rehabilitation work allowed the existing load restrictions to be removed better position this structure to handle the increased traffic it will likely see during the upcoming North Lake Samish Bridge No. 107 replacement project. This project was funded with local road funds.



Picture of newly completed carbon fiber reinforced polymer strips to the existing girders on the Nulle Road/Friday Creek Bridge No. 106.



Installation of carbon fiber reinforced polymer strips to the existing girders on the Nulle Road/Friday Creek Bridge No. 106.

Gillies Road/Sumas River Bridge No. 309 Cap Repair

This project, which was completed by the M&O Bridge Crew in the fall of 2023, included the installation of new helper timber caps at the north abutment of the existing bridge. Work included installation of steel collar brackets, new timber caps and other ancillary work to address deterioration in the existing timber cap. This project was funded with local road funds.



Installation of steel collar brackets on Gillies Road/Sumas River Bridge No. 309.



Completed helper timber cap installation at north abutment of Gillies Road/Sumas River Bridge No. 309

Exhibit “C” – Structurally Deficient Bridges

Bridge No.	Bridge Name	Deficiency's	Sufficiency Rating	Status
1	Little Squalicum	Delamination of Deck, Cap Beam Capacity	59.95	Monitoring
81	Jackson Road	Timber Cap and Pile Deterioration	24.19	TS&L study initiated in 2020
91	Stein Road	Timber Cap and Pile Deterioration	52.2	Monitoring
107	North Lake Samish	Timber Girder Section Loss	14.02	Construction phase scheduled to begin in 2024
172	BNSF Railroad	Deck Deterioration	75.45	Monitoring
248	Goshen Road	Timber Cap and Pile Deterioration	37.16	Preliminary engineering work underway with construction scheduled in 2026
250	Martin Road	Timber Cap and Pile Deterioration	41.00	Preliminary engineering work to begin in late 2024
421	Baker Lake Road	Channel Protection	49.78	Monitoring
503A	Gooseberry Point Approach Span	Timber Deck Deterioration	18.56	Deck replacement work scheduled and on-going as schedule allows
509	Salakanum Way	Timber Cap Deterioration	54.30	Monitoring

Large Culvert Inventory

In 2020 and 2021 Whatcom County Bridge Program inspectors completed inspection of all culverts with a diameter of 4' or greater located on the County road system. All told 236 structures were inspected as part of this effort.

All culvert inspections are completed using FHWA publication No. FHWA-CFL/TD-10-005 titled “*Culvert Assessment and Decision Making Procedures Manual*” dated September 2010. As part of the inspection effort each culvert is given an overall condition rating and any needed repairs or maintenance work is forwarded to Maintenance & Operations. These large diameter culverts will continue to be inspected moving forward every 5-years. For a detailed list of the large diameter culverts inspected in 2020 and 2021 please see Appendix “B”.

Maintenance and Repair Activities

The majority of bridge repair and maintenance work is done by Whatcom County Maintenance & Operation crews, with support from outside contractors and vendors as needed. During 2023 Maintenance & Operation crews washed all of the bridges in the County inventory. In addition, the majority of the bridges were brushed to support ongoing maintenance, repair and inspection activities.

The Maintenance & Operations crews also provide support for routine bridge inspections by utilizing the county owned hydra platform for access to bridges as needed.

Ninety eight (98) maintenance items were completed by the M&O Bridge Crew in 2023 which are listed in Exhibit D.

Exhibit “D” – Maintenance Items Completed in 2023

Bridge No.	Bridge Name	Work Completed	Date Repaired
275	Squaw Creek	Animal control devices set - USDA	January
131	McCarty Creek	Cleaned/sealed exposed rebar	January
139	Mosquito Lake Road	Cleaned/sealed exposed rebar	January
324	Sleasman Slough	Cleaned/sealed exposed rebar	January
36	Dakota Creek	Cleaned/sealed exposed rebar, cleaned materials off caps 1 and 5, patched picking holes	January
507	Lummi Island Terminal	Replaced clamp for hydraulic line	January
309	Sumas River	N.E. delineator sign adjusted and secured	January
503	Gooseberry Point Terminal	Rehang electrical conduit	January
102	California Creek	Install stainless steel band on piling 1B	February
43	Bertrand Creek	Materials cleared of all girder ends	February
309	Sumas River	Delineator sign tightened	February
131	McCarty Creek	Cleared debris off bridge deck	February
16	Ten Mile Creek	Covered graffiti	February
248	Anderson Creek	Installed stainless steel double band spacer block/timber pile	February
44	California Creek	Placed rock behind both abutments for erosion protection	February
151	Sigitowitz Creek	Rocked/cold patched erosion on southwest abutment	February
173	Haynie Creek	Cleaned catch basins and Sikaflexed four picking holes	February
36	Dakota Creek	Sikaflexed four picking holes and cleaned material off of caps 1 and 5	February
157	Hutchinson Creek	Placed rock at 12” outfall at north east abutment	February
252	Nooksack River	Installed new bridge identification tag	March
11	Red River	Cold patch south abutment and replace northwest quadrant guardrail block	March
5	Portage Slough	Southwest quadrant end wrap replaced	March
163	Dakota Creek Trib	Patched areas of exposed rebar	March

Bridge No.	Bridge Name	Work Completed	Date Repaired
164	Dakota Creek	Patched areas of exposed rebar	March
137	Smith Creek	Cleaned debris from west abutment	March
47	Bertrand Creek	Cleaned bridge joints	March
16	Ten Mile Creek	Cleaned bridge joints	April
13	Barrett Creek	Sikaflexed picking holes over caps	April
2	Marietta Slough	Removed debris from cap ends	April
162	Olson Creek	Removed debris from cap ends	April
256	Fishtrap Creek	Installed earthquake brackets	April
422	Sulphur Creek	Removed vegetation from east side of deck	April
510	Gallop Creek	Repaired approaches with gravel	May
337	Squalicum Creek	Repaired sink hole on west approach	May
503	Gooseberry point terminal	Replaced 20 deck timbers	May
29	Terrell Creek	Cleaned debris off outside bridge caps	May
513	Red River	Cleaned under/around guardrail	May
327	Sumas River	Grout repair/deck keyways	June
337	Squalicum Creek	Removed vegetation/cold patched shoulder	June
240	Ten Mile Creek	Crack sealed both ends of abutments	June
127	South Fork Nooksack	Crack sealed asphalt overlay/bridge deck	June
494	Smith Creek Overflow	Crack sealed transverse cracks both ends	June
495	South Fork Dakota Creek	Crack sealed transverse cracks both ends	June
413	Dakota Creek	Crack sealed transverse cracks both ends	June
86	Dakota Creek	Crack sealed transverse cracks both ends	June
89	Dakota Creek	Crack sealed transverse cracks both ends	
349	Johnson Creek	Temporary repair on south approach and replaced 2 broken guardrail posts SE quadrant	July
12	Schneider Ditch	Removed plastic between girders and treated exposed rebar	August
53	River Road	Removed debris from pile caps	August
90	Dakota Creek Trib	Covered over graffiti	August
151	Sigitowitz Creek	Treated exposed rebar	August
99	Drainage Ditch	Patched potholes both approaches	August
149	Slough	Sealed areas of exposed rebar	August
332	North Fork Nooksack	Cleaned material off pier 2	August
22	Dakota Creek	Removed plastic at bottom of girders	August
258	Kamm Slough	Cold patched approaches	August
304	Sumas River	Additional cold patch work	August
92	Dakota Creek	Covered graffiti	August
115	High Creek	Cleared trees/bush from embankment	August
105	Manley Road	Removed mud/debris from deck	August
173	Haynie Creek	Removed cedar tree at abutment	August
252	Nooksack River	Covered over graffiti	August

Bridge No.	Bridge Name	Work Completed	Date Repaired
256	Assink Road	Cold patched approach	August
263	Pangborn Road	Cold patched approach	August
1	Little Squalicum	Patched sidewalk approaches	August
248	Anderson Creek	Patched east approach	August
206	Sumas River	Patched pot hole north approach	August
258	Kamm Slough	Patched south approach	August
30	Bertrand Creek	Patched sidewalk approaches at all four quadrants	August
138	Hutchinson Creek	Removed debris from caps	August
148	South Fork Nooksack	Maintenance of bio-filter catch basin	August
499	Dakota Creek Trib	Annual dredging of steam channel	August
106	Friday Creek	Installed 48 earthquake brackets and 22 treated wooden dowel plugs into piling holes	August
332	North Fork Nooksack	Filled joint over pier 2 to prevent debris build-up	August
29	Terrell Creek	Covered over graffiti	August
233	Ten Mile Trib	Metal treatment and treat exposed rebar	September
322	Sleasman Slough	Phoscrete to re-grout key ways	September
163	Dakota Creek Trib	Phoscrete to re-grout key ways	September
47	Bertrand Creek	Refastened guardrail bolts	September
327	Sumas River	Phoscrete to re-grout key ways	September
126	Innis Creek	Annual channel maintenance	September
507	Lummi Island Terminal	5/8" bolt replacement on transfer span	September
150	Low Water Crossing	Replaced missing nuts and secured second deck panel in from east side to prevent bounce	September
309	Sumas River	16' helper caps on bent 4 with 3 pile clamps	October
3	Marine Drive	Removed logs racked up on east and west piers	October
500	Dakota Creek	Southwest abutment added 18"x20' ADS pipe with 60' aqua sock	October
295	Johnson Creek	Added 8" rock with ¾" crushed gravel at southwest bulkhead	October
164	Dakota Creek	Sikaflex in grout key ways	November
22	Dakota Creek	Animal control devices set – USDA	November
148	South Fork Nooksack	Asphalt grinding at sunken catch basins	November
82	Terrell Creek	Cold patched pot holes at both approaches	November
13	Barrett Creek	Animal control devices set – USDA	December
1	Little Squalicum	Cleared bridge drains/scuppers of debris	December
2	Marietta Slough	Cleared woody debris from abutment 1	December
5	Portage Slough	Repaired guardrail end wraps at all 4 quadrants	December
29	Terrell Creek	Cleared cap ends of debris	December

Bridge No.	Bridge Name	Work Completed	Date Repaired
336	Swift Creek	Trimmed bamboo back from rail and abutments	December
244	Scott Ditch	Cleared caps of debris	December

Glossary of Bridge Terms

Abutment – a substructure supporting the end of a single span, or the extreme end of a multi-span super-structure and, in general, retaining or supporting the bridge approach fill.

Approach span – the span or spans connecting the abutment with the main span or spans.

Back wall – the top-most portion of an abutment functioning primarily as a retaining wall to contain approach roadway fill.

Beam – a linear structural member designed to span from one support to another.

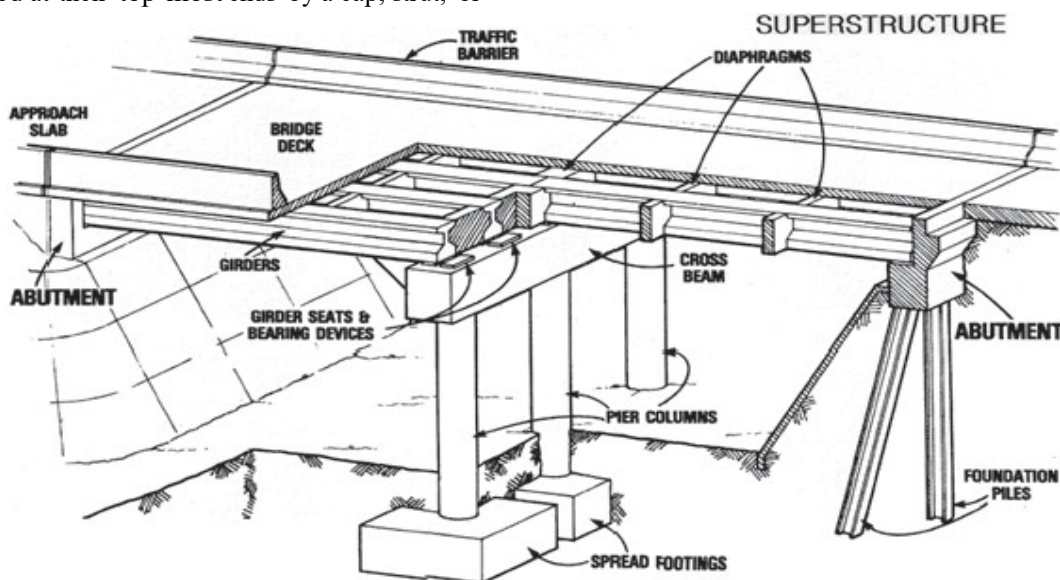
Bent – a supporting unit of the beams of a span made up of one or more column or column-like members connected at their top-most ends by a cap, strut, or other horizontal member.

Box Girder – a support beam that is a hollow box; Its cross-section is a rectangle or square.

Bracing – a system of tension or compression members, or a combination of these, connected to the parts to be supported or strengthened by a truss or frame. It transfers wind, dynamic, impact, and vibratory stresses to the substructure and gives rigidity throughout the complete assemblage. Can also refer to diagonal members that tie two or more columns of a bent together.

Cap – the horizontally-oriented, top-most piece or member of a bent serving to distribute the beam loads upon the columns and to hold the beams in their proper relative positions.

Cast-in-Place – concrete poured within form work on site to create a structural element in its final position.



Catwalks – temporary foot bridges, used by bridge inspection personnel.

Chord – in a truss, the upper-most and the lower-most longitudinal members, extending the full length of the truss.

Column – a vertical structural member that transfers dead and live load from the bridge deck and girders to the footings or shafts.

Column crosses brace – transverse brace between two main longitudinal members.

Compression – a type of stress involving a pressing or squeezing together; tends to shorten a member; opposite of tension.

Culvert – a pipe or small structure used for drainage under a road, railroad or other embankment. A culvert with a span length greater than 20 feet is included in the National Bridge Inventory and receives a rating using the NBI scale.

Dead load – a static load due to the weight of the structure itself.

Deck – the roadway portion of a bridge that provides direct support for vehicular and pedestrian traffic.

Deck bridge – a bridge in which the supporting members are all beneath the roadway.

Deck truss – a bridge whose roadway is supported from beneath by a truss.

Diagonal – a sloping structural member of a truss or bracing system.

Elastomeric pads – rectangular pads made of neoprene, found between the sub-structure and superstructure that bears the entire weight of the superstructure. Elastomeric pads can deform to allow for thermal movements of the superstructure.

End wall – the wall located directly under each end of a bridge that holds back approach roadway fills. The end wall is part of the abutment.

Expansion joint – A joint designed to provide means for expansion and contraction movements produced by temperature changes, load, or other forces.

Fatigue – Cause of structural deficiencies, usually due to repetitive loading over time.

Footing – The enlarged, lower portion of a sub-structure that distributes the structure load either to the earth or to supporting piles; the most common footing is the concrete slab; "footer" is a colloquial term for footing.

Fracture critical member – a member in tension or with a tension element whose failure would probably cause a portion of or the entire bridge to collapse.

Girder – a main support member for the structure that usually receives loads from floor beams and stringers; also, any large beam, especially if built up.

Hanger – a tension member serving to suspend an attached member.

Hinge – a point in a structure at which a member is free to rotate.

Live load – vehicular traffic, wind, water; and/or earthquakes.

Lower chord – the bottom horizontal member of a truss.

Main beam – a beam supporting the spans and bearing directly onto a column or wall.

Member – an individual angle, beam, plate, or built piece intended to become an integral part of an assembled frame or structure.

Oscillation – a periodic movement back and forth between two extreme limits. An example is the string of a guitar that has been plucked. Its vibration back and forth is one oscillation. A vibration is described by its size (amplitude), its oscillation rate (frequency), and its timing (phase). In a suspension bridge, oscillation results from energy collected and stored by the bridge. If a part of the bridge has to store more energy than it is capable of storing, that part will probably fail.

Pier – a structure comprised of stone, concrete, brick, steel, or wood that supports the ends of the spans of a multispan superstructure at an intermediate location between abutments. A pier is usually a solid structure as opposed to a bent, which is usually made up of columns.

Pile – a linear (vertical) member of timber, steel, concrete, or composite materials driven into the earth to carry structure loads into the soil.

Pile bent – A row of driven or placed piles with a pile cap to hold them in their correct positions; see "Bent."

Plate girder – a large, solid web plate with flange plates attached to the web plate by flange angles or fillet welds. Typically fabricated from steel.

Post or column – a member resisting compressive stresses, in a vertical or near vertical position.

Pre-cast girder – fabricated off site of Portland Cement Concrete, reinforcing steel and post-tensioning cables. These girders are shipped to the construction site by truck and hoisted into place by cranes.

Reinforced concrete – concrete with steel reinforcing bars bonded within it to supply increased tensile strength and durability.

Scour – erosive action of removing streambed material around bridge substructure due to water flow. Scour is of particular concern during high-water events.

Short span bridge – these bridges have a single NBIS span length of 20 feet or less. They are typically supported by timber piles or shallow concrete footings.

Soffit – the underside of the bridge deck or sidewalk.

Spall – a concrete deficiency wherein a portion of the concrete surface is popped off from the main structure due to the expansive forces of corroding steel rebar underneath. This is especially common on older concrete bridges.

Span – The distance between piers, towers, or abutments.

Steel – A very hard and strong alloy of iron and carbon.

Stringer – a longitudinal beam (less than 30 feet long) supporting the bridge deck, and in large bridges, framed into or upon the floor beams.

Sufficiency rating – the sufficiency rating is a numeric value from 100 (a bridge in new condition) to 0 (a bridge incapable of carrying traffic). The sufficiency rating is the summation of four calculated values: Structural Adequacy and Safety, Serviceability and Functional Obsolescence, Essentiality for Public Use, and Special Reductions.

Substructure – the abutment, piers, grillage, or other structure built to support the span or spans of a bridge superstructure, and distributes all bridge loads to the ground surface. Includes abutments, piers, bents, and bearings.

Superstructure – the entire portion of a bridge structure which primarily receives and supports traffic loads and in turn transfers the reactions to the bridge substructure; usually consists of the deck and beams or, in the case of a truss bridge, the entire truss.

Tension – type of stress involving an action which pulls apart.

Tie – a member carrying tension.

Torsion – a twisting force or action.

Truss bridge – a bridge having a pair of trusses for the superstructure.

Upper chord – the top longitudinal member of a truss.

Web – the portion of a beam located between and connected to the flanges.

Welded joint – a joint in which the assembled elements and members are united through fusion of metal.

Wheel rail – a timber curb fastened directly to the deck, most commonly found on all-timber bridges.

Wing wall – walls that slant outward from the corners of the overall bridge that support roadway fill of the approach.

**Appendix "A" – 2023 Whatcom County Bridge Inventory
Total of 163 Bridges Including 25 Short Spans**

Bridge No.	Bridge Name	Year Built	Structure Length	Structure Width	Traffic (adt)	Detour Length
1	LITTLE SQUALICUM	1933	270	35	3796	2
2	MARIETTA SLOUGH	1978	105	32	3746	7
3	MARIETTA	1936	420	32.9	3746	7
5	PORTAGE SLOUGH	1997	90	42	3700	6
7	SLOUGH BRIDGE	1979	90	32.1	1099	6
8	Red River	1997	82	31	284	3
9	SILVER CREEK	1953	31	25.5	70	0
10	Jordan Creek	2017	142	41	15000	4
11	RED RIVER	1920	126	25.5	5592	5
12	SCHNEIDER DITCH	1950	19	21.3	230	99
13	BARRETT CREEK	1969	57	25.5	1316	3
14	TEN MILE CR	1924	38	25.8	1192	2
15	TEN MILE CR	1935	83	43.2	4900	3
16	TEN MILE CR	1986	80	31	441	3
17	TEN MILE CR	1933	61	25.5	1185	2
19	SILVER CR	2020	16	33	6553	5
21	TEN MILE CR	1933	31	25.5	887	3
22	DAKOTA CR.	1930	31	25.7	167	4
29	TERRELL CREEK	2003	31	34	833	4
30	BERTRAND CR.	1938	126	33.1	1839	4
35	CALIFORNIA CR	1956	169	32.6	951	4
36	DAKOTA CR.	1934	75	25.5	820	4
37	CALIFORNIA CR	1996	40	32	558	3

Bridge No.	Bridge Name	Year Built	Structure Length	Structure Width	Traffic (adt)	Detour Length
38	DRAYTON HARBOR	1933	104	25.5	5082	3
42	DAKOTA CR.	1995	131	31.1	275	4
43	BERTRAND CR.	1995	118	37.4	924	5
44	Bridge Way	1984	85	16	10	99
47	BERTRAND CREEK	1950	82	36	1251	6
50	BERTRAND CR	2019	100	40	2988	4
51	FISHTRAP CR	1988	36	17	120	2
53	RIVER ROAD	2004	50	23.8	125	99
56	BERTRAND CREEK	1949	83	27	9097	6
81	JACKSON RD.	1975	62	25.5	977	4
82	TERRELL CREEK	1987	50	46.9	2766	3
86	DAKOTA CREEK	1956	18	36	1245	3
87	DAKOTA CREEK	2005	53	37	729	4
88	S. FORK DAKOTA CREEK	2005	53	37	729	4
89	DAKOTA CR.	1950	31	25.5	644	3
90	COUGAR CR	1947	19	25.5	433	2
91	DAKOTA CR TRIB	1906	50	25.5	150	4
92	DAKOTA CREEK	2000	55	32	720	4
94	COUGAR CR	1931	18	25.5	135	2
99	DRAINAGE DITCH	1932	19	25.5	190	5
101	CALIFORNIA CR	1949	31	25.9	365	3
102	CALIFORNIA CREEK	2004	31	25.5	190	4
105	MANLEY	2011	19	12.8	10	6

Bridge No.	Bridge Name	Year Built	Structure Length	Structure Width	Traffic (adt)	Detour Length
106	FRIDAY CR	1934	76	27	851	7
107	LAKE SAMISH	1953	251	29.9	955	7
115	HIGH BRIDGE	2006	228	37.5	2123	19
116	AUSTIN CREEK	2004	82	42.8	2481	7
119	BRANNIAN CREEK	2008	40	32.2	542	0
120	FIR CREEK	1944	20	25.5	545	0
121	DIVERSION CHANNEL	1944	20	25.5	545	0
124	NP RR	1994	126	31.4	120	5
125	Samish River	1998	69	32.3	114	3
126	INNIS CREEK	2007	40	24	103	3
127	SOUTH FORK	1998	276	31	250	99
130	JONES CR.	1951	31	25.9	338	0
131	MCCARTY CR	1975	70	23.8	338	99
132	HUDSON	1950	15	15	5	0
134	ANDERSON CR	1939	31	25.5	402	3
137	SMITH CREEK	1989	99	30.6	1010	99
138	HUTCHINSON CREEK	1945	31	25.5	337	21
139	MOSQUITO LK	1951	19	25	160	21
140	MIDDLE FORK	1915	423	16	117	21

Bridge No.	Bridge Name	Year Built	Structure Length	Structure Width	Traffic (adt)	Detour Length
141	PORTER CREEK	1936	31	25.5	135	21
142	JOHNSON CREEK	2004	24	0	337	21
143	BLACK SLOUGH	1934	19	25.6	170	99
147	BLACK SLOUGH	1934	31	21.3	66	4
148	SOUTH FORK	2015	360	30	700	99
149	SLOUGH	1934	76	25.5	636	99
150	LOW WATER CROSSING	1969	24	26	194	99
151	SIGITOWITZ CREEK	1950	31	25.5	250	0
157	HUTCHINSON CREEK	2005	72	32.2	818	21
159	DOREN RD	1958	19	29.5	224	3
162	OLSON CR	1940	19	25.5	1171	99
163	DAKOTA CR TRIB	1954	31	25.5	843	5
164	DAKOTA CR	1950	31	25.5	844	5
170	N. INNIS CREEK	1999	31	25.5	180	4
172	GN RR OVERPASS	1940	196	32.3	4200	1
173	HAYNIE CR	1956	38	25.5	820	4
174	SILVER CR	1958	19	21.3	194	99
201	SWIFT CR	1934	38	27	1425	6
204	TEN MILE CR	1934	38	25.5	372	5
206	SUMAS RIVER	1935	69	25.5	252	3
212	SAAR CREEK	2016	53	32.5	867	3
233	TEN MILE CR TRIB	1900	31	25.5	841	4
234	TEN MILE CR	1947	31	25.5	841	4
235	TEN MILE CR	1946	38	25.5	68	99

Bridge No.	Bridge Name	Year Built	Structure Length	Structure Width	Traffic (adt)	Detour Length
236	TEN MILE CR	1944	31	36	11198	5
237	FOUR MILE CREEK	1954	37	44	9411	6
240	TEN MILE CREEK	2012	40	32.2	645	3
242	SAAR CREEK	2004	104	29.7	118	3
244	SCOTT DITCH	1951	31	25.5	72	5
245	Scott Ditch	2009	77	42.7	9000	4
248	ANDERSON CR	1973	62	25.5	1114	4
249	ANDERSON CR	2019	82	30	150	4
250	ANDERSON CR	1958	31	30	80	0
252	NOOKSACK RIVER	1934	320	30	9332	12
256	ASSINK RD	1949	31	25.5	185	4
257	FISH TRAP CR	1950	31	27	300	5
258	KAMM SLOUGH	1956	19	25.5	838	5
261	Kamm Slough	2010	145	50	2400	4
263	FISH TRAP CR	1954	38	30.1	700	4
275	SQUAW CREEK	1963	19	25.5	866	4
277	ANDERSON CREEK	2005	53	40	4147	4
284	LIND	1955	31	25.5	50	99
288	SUMAS RIVER	1959	19	25.5	131	3
290	SUMAS RIVER	1932	31	25.5	106	3
291	SUMAS RIVER	2019	31	30	326	4
295	JOHNSON	1950	31	25.5	1031	2
302	JOHNSON CREEK	2010	53	32	240	5
303	SUMAS RIVER	1956	76	25.5	267	4
304	SUMAS RIVER	1993	60	32	263	3

Bridge No.	Bridge Name	Year Built	Structure Length	Structure Width	Traffic (adt)	Detour Length
306	SUMAS RIVER	1997	75	31	267	4
307	SUMAS RIVER	1953	60	25.5	1032	4
308	SUMAS RIVER	1947	69	25.5	261	2
309	SUMAS RIVER	1932	76	25.5	269	2
310	SUMAS RIVER	1947	57	25.5	209	2
313	SWIFT CR	2017	31	17.2	223	4
319	SUMAS RIVER	1949	31	25.5	250	3
322	SLEASMAN SLOUGH	1935	31	21.3	131	99
324	SLEASMAN SLOUGH	1935	19	25.5	120	5
325	SAAR CR	1946	31	27	113	6
327	SUMAS RIVER	1917	152	27	206	4
328	SAAR CR	1966	31	29.7	524	6
329	LENHART RD BR	1953	31	21.5	30	99
331	SUMAS RIVER	1943	82	25.5	922	3
332	NORTH FORK	1930	210	28	800	22
334	CANYON CR	1937	80	27	1050	23
336	SWIFT CR	1935	82	27	2340	3
337	SQUALICUM CR	1934	19	21.5	58	99
346	BONE CREEK	1946	10	0	270	4
347	JOHNSON CR	1955	31	21.3	40	99
348	DRAINAGE RELIEF	2002	12	23.5	172	40
349	JOHNSON CR	1945	47	29.3	567	2
406	SMITH CR	1974	19	22	149	99
408	SMITH CR	1958	31	21.5	56	99
410	HENDRICKS CREEK	1967	60	23.4	62	1
411	SMITH CR	1945	20	29	280	2
413	DAKOTA CR	1965	31	25.5	1485	4

Bridge No.	Bridge Name	Year Built	Structure Length	Structure Width	Traffic (adt)	Detour Length
421	ROCKY CREEK	1956	180	33.2	911	2
422	SULPHUR CREEK	2010	112	33	916	99
423	SANDY CREEK	1957	127	31.3	916	99
494	SMITH CREEK OVERFLOW	1946	84	27.5	1112	2
495	SOUTH FORK DAKOTA CREEK	1950	30	44.4	1500	4
497	BERTRAND CR TRIB	1950	21	30	1156	3
498	DAKOTA CREEK	2006	40	32	604	3
499	DAKOTA CREEK TRIB	1950	16	28	1434	4
500	DAKOTA CR	1928	335	31.5	1221	2
503	GOOSEBERRY FERRY SLIP	1950	70	13	1100	99
505	SKOOKUM CR	1980	101	26	100	99
506	JOHNSON CR	1944	72	14	25	99
507	LUMMI ISLAND FERRY SLIP	1978	96	17.5	1100	99
508	JOHNSON CREEK	1996	53	20	30	99
509	ANDERSON CREEK	1954	31	22.7	50	99
510	GALLOP CREEK	1952	65	16.6	16	99
511	DEEP CREEK	2000	31	21.3	15	99
512	NOOKSACK RIVER	1957	246	32.6	11192	7
513	RED RIVER	1957	104	36	11365	7
503A	FERRY SLIP APPR	1950	158	23.8	1250	99
507A	FERRY SLIP APPR	1978	60	17.5	1250	99

**Appendix “B” – 2023 Whatcom County Large Culvert Inventory
Total of 236 Structures**

Culvert ID No.	Road Name	Location	Stream Name	Shape	Material	Diameter
LC202	CORNELL CREEK RD	0.37 MI FROM SR 542 (EAST END)	HENDRICK CREEK	RND	CMP	8
LC207	COAL CREEK RD	1.2 MILES FROM SR 542	UNKNOWN	RND	CMP	10
LC206	COAL CREEK RD	.74 MI SOUTH OF VAUGHN	GLACIER CREEK	RND	CMP	5
LC643	LAKEWAY DR	35' EAST OF EUCLID	GENEVA CREEK	RND	CONC	5
LC623	LAKE LOUISE RD	120' EAST OF WESTERN LANE	BEAVER CREEK	RND	CMP	6
LC622	LAKE LOUISE RD	300' WEST OF POLO PARK DR	BEAVER CREEK	BOX	CONC	6X4
LC621	LAKE LOUISE RD	525' WEST OF LAKE LOUISE DR	UNKNOWN	BOX	CONC	8X8
LC211	NOON RD	0.48 MI NORTH OF E SMITH RD	UNKNOWN	RND	CMP	8
LC616	NOON RD	0.30 MI SOUTH OF E SMITH RD	UNKNOWN	RND	CMP	6
LC615	NOON RD	0.20 MI SOUTH OF HUNTLEY RD	UNKNOWN	BOX	CONC	3X6
LC614	NOON RD	0.39 MI NORTH OF SR 542	UNKNOWN	RND	CMP	5
LC633	VAN WYCK RD	0.68 MILES WEST OF NOON RD	UNKNOWN	RND	CMP	5
LC635 & LC636	DEWEY RD	0.18 MI SOUTH OF VAN WYCK RD	SQUALICUM CREEK	RND	CMP	6
LC203	NORTHFORK RD	0.95 MI NORTH OF MOSQUITO LAKE RD	UNKNOWN	RND	CMP	5
LC607	MOSQUITO LAKE RD	SOUTH OF SR 542	UNKNOWN	RND	CMP	11
LC610	MOSQUITO LAKE RD	SOUTH OF SR 9	UNKNOWN	RND	CONC	5
LC406	SUNSET AVE	WEST OF NORTHWEST RD	UNKNOWN	SQSH	CMP	8X7
LC404	GRAVELINE RD	0.17 MI NORTH OF SUNSET AVE	SILVER CREEK	SQSH	CMP	8X7
LC403	NORTHWEST RD	200' SOUTH OF SUNSET AVE	SILVER CREEK	RND	CONC	5
LC410	SLATER RD	225' WEST OF NORTHWEST RD.	BEAR CREEK	RND	CONC	6
LC634	HORTON RD	0.35 MI EAST OF SR 539	SPRING CREEK	RND	CONC	5
LC411	SEACREST DR	0.14 MILES SOUTH OF SUNRISE RD (LUMMI ISLAND)	UNKNOWN	BOX	CONC	5X6

Culvert ID No.	Road Name	Location	Stream Name	Shape	Material	Diameter
LC205	CHASTEEN RD	AT TEN MILE RD	UNKNOWN	RND	CONC	5
LC209	E LAURAL RD	0.42 MI EAST OF SR 539	CRYSTAL SPRINGS CREEK	RND	CMP	6
LC1	ALDRICH RD	0.17 MI SOUTH OF WEST AXTON RD	DEER CREEK	RND	CMP	10
LC11	NORTHWEST RD	0.17 MI SOUTH OF WEST AXTON RD	DEER CREEK	RND	CMP	7
LC41	CLARKSON RD	0.37 MI WEST OF NORTHWEST RD	UNKNOWN	RND	CONC	5
LC40	CLARKSON RD	0.16 MI WEST OF NORTHWEST RD	UNKNOWN	RND	CONC	5
LC42	AXTON RD	JUST EAST OF FERNDALE CITY LIMITS	UNKNOWN	RND	CONC	6
LC418	KWINA RD	0.27 MI WEST OF HAXTON RD	UNKNOWN	BOX	CONC	5X7
LC417	HAXTON WAY	0.5 MI SOUTH OF RED RIVER	UNKNOWN	RND	CON	5
LC413	IMHOF RD	100' NORTH OF SLATER RD	UNKNOWN	RND	CMP	8
LC408 & LC409	SLATER RD	0.33 MI EAST OF BRIDGE 512)	TENNANT CREEK	RND	CMP	10
LC16	HAM RD	0.12 MI SOUTH OF ARNIE	CAMPBELL CREEK	SQSH	CMP	6
LC31	ARNIE RD	250' WEST OF HAM RD	UNKNOWN	RND	CMP	6
LC33	BIRCH BAY LYNDEN RD	JUST EAST OF HAM RD	CALIFORNIA CREEK	SQSH	CMP	12
LC18	HAM RD	0.62 MI SOUTH OF BIRCH BAY LYNDEN RD	UNKNOWN	RND	CMP	5
LC17	HAM RD	0.71 MI SOUTH OF BIRCH BAY LYNDEN RD	TARTE CREEK	RND	CMP	7
LC12	NORTHWEST RD	0.52 MI SOUTH OF WEST WISER LAKE RD	COUGAR CREEK	RND	CMP	7
LC39	WEST BADGER RD	AT GLENDALE RD	UNKNOWN	RND	CONC	5
LC24	LOOMIS TRAIL RD	0.23 MI WEST OF WEIDCAMP RD	UNKNOWN	RND	CONC	6
LC22	BIRCH BAY LYNDEN RD	0.12 MI EAST OF BOB HALL RD	UNKNOWN	RND	CONC	6
LC10	STEIN RD	0.62 MI NORTH OF BIRCH BAY LYNDEN RD	UNKNOWN	RND	CMP	5
LC3	CUSTER SCHOOL RD	0.93 MI NORTH OF BIRCH BAY LYNDEN RD	UNKNOWN	RND	CMP	9
LC20	LOOMIS TRAIL RD	0.32 MI WEST OF PORTAL WAY	UNKNOWN	RND	CONC	6
LC27	PORTAL WAY	0.17 MI NORTH OF ARNIE ROAD	UNKNOWN	BOX	CONC	12X6

Culvert ID No.	Road Name	Location	Stream Name	Shape	Material	Diameter
LC26	PORTAL WAY	0.11 MI NORTH OF MAIN	UNKNOWN	BOX	CONC	5X5
LC30	FOX RD	0.28 MI EAST OF VISTA	UNKNOWN	RND	CMP	6
LC13	VISTA DR	0.40 MI NORTH OF GRANDVIEW	UNKNOWN	RND	CMP	7
LC43	ENTERPRISE RD	0.17 MI SOUTH OF WILLEY'S LAKE RD	SCHNEIDER CREEK	RND	CMP	5
LC402	NORTHWEST RD	SOUTH OF SLATER RD	BEAR CREEK	SQSH	CMP	16
LC613	HENDERSON RD	0.10 MI EAST OF Y RD	SOUTH FORK ANDERSON CREEK	RND	CMP	11
LC602	KELLY RD	AT SAND RD	UNKNOWN	RND	CMP	6
LC246	VAN DYKE RD	360' WEST OF THEIL RD	ELDER DITCH	RND	CONC	6
LC250	THEIL RD	280' SOUTH OF VAN DYKE RD	SCOTT DITCH	RND	CONC	6
LC245	THEIL RD	0.35 MI NORTH OF VAN DYKE RD	SCOTT DITCH	BOX	CONC	6X5
LC213	NOON RD	0.57 MI NORTH OF VAN DYKE RD	SCOTT DITCH	BOX	CONC	6X5
LC248	NOLTE RD	0.35 MI NORTH OF VAN DYKE RD	SCOTT DITCH	RND	CMP	12
LC212	NOON RD	0.48 MI NORTH OF POLE RD	UNKNOWN	RND	CMP	6
LC214	STARRY RD	0.61 MILES NORTH OF E SMITH RD	STARRY CREEK	RND	CMP	11
LC214B	STARRY RD	NORTH OF E SMITH RD	UNKNOWN	SQSH	CMP	12
LC210	EAST RD	0.14 MI SOUTH OF E AXTON RD	DEER CREEK	RND	CMP	5
LC48	OLSON RD	0.18 MI SOUTH OF DOUGLAS RD	UNKNOWN	RND	CONC	5
LC49	CHURCH RD	0.33 MI SOUTH OF DOUGLAS RD	SCHELL CREEK	RND	CONC	5
LC236	PANGBORN RD	0.99 MI EAST OF HAMMER RD	SQUAW CREEK	SQSH	CMP	9
LC225	CLEARBROOK RD	0.22 MI EAST OF VAN BUREN RD	JOHNSON CREEK	RND	CMP	15
LC226	CLEARBROOK RD	0.23 MI WEST OF HILL RD.	SUMAS RIVER	RND	CONC	6
LC232	HILL RD	0.30 MI NORTH OF CLEARBROOK RD	SUMAS RIVER	RND	CMP	7
LC234	JONES RD	0.51 MI EAST OF CONCHMAN RD	UNKNOWN	RND	CMP	5
LC233	JONES RD	1 MI EAST OF NIMS RD	SAAR CREEK	RND	CMP	6
LC235	NIMS RD	375' NORTH OF ROCK ROAD	SAAR CREEK	RND	CMP	8

Culvert ID No.	Road Name	Location	Stream Name	Shape	Material	Diameter
LC242	ROCK RD	285' WEST OF NIMS RD	SAAR CREEK	RND	CMP	8
LC241	ROCK RD	350' EAST OF HILLVIEW RD	ARNOLD SLOUGH	SQSH	CMP	5
LC201	SILVER LAKE RD	1.02 MI SOUTH OF BLACK MOUNTIAN RD	MAPLE CREEK	RND	CONC	5
LC624	LINDQUIST RD	0.1 MI NORTHEAST OF Y RD	CARPENTER CREEK	RND	CONC	5
LC625	NORTHSHORE RD	0.14 MI SOUTH OF Y RD	CARPENTER CREEK	RND	CONC	5
LC617	Y ROAD	0.10 MI SOUTHEAST OF NORTHSHORE RD	CARPENTER CREEK	RND	CONC	5
LC642	MANLEY RD	1 MI NORTH OF PACIFIC RD	BARNES CREEK	RND	CONC	5
LC38	VALLEY VIEW RD	0.29 MI SOUTH OF MCGEE	UNKNOWN	RND	CMP	7
LC8	HAYNIE RD	0.15 MI WEST OF 34TH AVE	UNKNOWN	RND	CONC	5
LC4	GILES RD	0.10 MI SOUTH OF HAYNIE RD	UNKNOWN	RND	CMP	5
LC21	ROGER RD	SOUTH OF HOIER RD	UNKNOWN	RND	CONC	6
LC9	HOIER RD	0.15 MI EAST OF HARVEY RD	UNKNOWN	RND	CONC	6
LC7	HARVEY RD	0.15 MI NORTH OF SWEET RD	SPOONER CREEK	RND	CMP	5
LC37	SWEET RD	0.2 MI WEST OF HARVEY RD	UNKNOWN	RND	CMP	6
LC28	KICKERVILLE RD	0.5 MI SOUTH OF BAY ROAD	TERRELL CREEK	BOX	CON	8X8
LC45	BROWN RD	0.39 MI EAST OF KICKERVILLE RD	TERRELL CREEK	RND	CONC	6
LC44	BROWN RD	234' WEST OF JACKSON RD.	UNKNOWN	BOX	CONC	5X5
LC47	NORTH STAR RD	0.33 MI SOUTH OF ALDERGROVE RD	UNKNOWN	RND	CMP	13
LC35	SUNRISE RD	0.46 MI SOUTH OF H STREET RD	NORTH FORK DAKOTA CREEK	RND	CONC	6
LC36	SUNRISE RD	0.13 MI SOUTH OF H STREET RD	UNKNOWN	RND	CMP	6
LC5	H STREET RD	0.22 MI WEST OF SUNRISE RD	UNKNOWN	RND	CMP	6.5
LC6	H STREET RD	0.38 MI WEST OF SUNRISE RD	UNKNOWN	RND	CMP	11
LC2	BURK RD	0.15 MI EAST OF DELTA LINE RD	NORTH FORK DAKOTA CREEK	RND	CMP	14
LC29	ZELL RD	AT WILLEY'S LAKE ROAD	UNKNOWN	RND	CMP	6

Culvert ID No.	Road Name	Location	Stream Name	Shape	Material	Diameter
LC34	LOOMIS TRAIL RD	JUST WEST OF I-5	UNKNOWN	RND	CMP	6
LC32	ARNIE RD	0.3 MI EAST OF VALLEY VIEW RD	UNKNOWN	BOX	CONC	8X5
LC25	PORTAL WAY	280' SOUTH OF FARIS (THE SOUGH LEG OF FARIS)	UNKNOWN	BOX	CONC	6X5
LC50	UNICH RD	0.17 MI EAST OF BARR RD	JORDAN CREEK	BOX	CONC	6X4
LC414	LAMPMAN RD	0.20 MI EAST OF HAXTON WAY	UNKNOWN	RND	CONC	5
LC412	ELDER RD	0.2 MI NORTH OF SLATER RD	JORDAN CREEK	RND	CMP	12
LC416	NORTH RED RIVER RD	0.66 MI WEST OF HILLAIRE RD	JORDAN CREEK	RND	CMP	9
LC415	NORTH RED RIVER RD	0.74 MI WEST OF HILLAIRE RD	UNKNOWN	RND	CMP	5
LC637	E SMITH RD	0.77 MI EAST OF SR 542	UNKNOWN	RND	CONC	5
LC204	HILLARD RD	175' SOUTH OF DEMING RD	UNKNOWN	RND	CMP	5
LC612	LINNELL RD	0.25 MI NORTH OF POTTER RD	UNKNOWN	RND	CMP	6
LC603	NELSON RD	0.50 MI SOUTH OF POTTER RD	UNKNOWN	RND	CMP	8
LC608	CLIPPER RD	0.54 MI SOUTH OF STRAND RD	UNKNOWN	BOX	CONC	6X4
LC609	CLIPPER RD	0.14 MI SOUTH OF STRAND RD	TINGLING CREEK	BOX	CONC	6X4
LC604	STRAND RD	0.52 MI EAST OF SR 9	TINGLING CREEK	BOX	CONC	6X4
LC605	TRUCK RD	0.14 MI EASTERLY OF DEAL RD	UNKNOWN	RND	CONC	5
LC638	PARK RD	1.18 MI EAST OF BLUE CANYON RD	UNKNOWN	RND	CMP	6
LC644	PARK RD	0.38 MI EAST OF BLUE CANYON RD	UNKNOWN	BOX	CONC	8X4
LC620	BLUE CANYON RD	1 MILE FROM PARK RD	UNKNOWN	RND	CMP	5
LC619	BLUE CANYON RD	0.62 MI FROM PARK RD	BLUE CONYON CREEK	RND	CMP	5
LC618	RAINBOW DR	BETWEEN BROOK AND CEDAR	SILVER CREEK	RND	CMP	6
LC601	GLENHAVEN	BETWEEN RAINBOW RD AND LAKESIDE DR	SILVER CREEK	BOX	CONC	8X3
LC631	SAMISH WAY	0.64 MI NORTHWEST OF MANLEY RD	CHUCKANUT CREEK	BOX	CONC	8X8

Culvert ID No.	Road Name	Location	Stream Name	Shape	Material	Diameter
LC630	SAMISH WAY	0.46 MI NORTHWEST OF MANLEY RD	BEAR CREEK	RND	CONC	5
LC632	SAMISH WAY	500' EAST OF YEW STREET RD	UNKNOWN	RND	CONC	5
LC405	LANGE RD	0.22 MI EAST OF WASHKE RD	ANDREASEN DITCH	RND	CONC	9
LC407	WASHKE RD	350' NORTH OF LANGE RD	ANDREASEN DITCH	RND	CMP	5
LC639	EAST LAKE SAMISH DR	0.24 MI NORTH OF CEDAR ACRES	BARNES CREEK	BOX	CONC	6X8
LC640	NORH LAKE SAMISH	0.11 MI WEST OF EAST LAKE SAMISH	FINNEY CREEK	RND	CONC	6
LC641	ROY RD	0.53 MI WEST OF AXELSON	UNKNOWN	BOX	CONC	4X6
LC626 & LC627	OLD SAMISH RD	0.55 MI WEST OF LAKE SAMISH DR	UNKNOWN	RND	CONC	5
LC628 & LC629	OLD SAMISH RD	0.73 MI WEST OF FALLS DR	CHUCKANUT CREEK	RND	CMP	6
LC228	GOODWIN RD	0.32 MI NORTH OF SOUTH PASS RD	GOLD CREEK	BOX	CONC	7X3
LC227	GOODWIN RD	0.07 MI SOUTH OF SORENSON RD	BRECKENRIDGE CREEK	RND	CMP	10
LC222	LINDSAY RD	67' WEST OF TELEGRAPH RD	KINNEY CREEK	RND	CMP	8
LC223	TELEGRAPH RD	0.10 MI SOUTH OF LINDSAY RD	KINNEY CREEK	RND	CMP	8
LC24	SORRENSON RD	0.20 MI EAST OF TELEGRAPH RD	KINNEY CREEK	RND	CMP	8
LC237	SOUTH PASS RD	0.32 MI NORTH OF SEALUND RD	BRECKENRIDGE CREEK	BOX	CONC	8X10
LC238	MACK RD	100' FROM SR 9	UNKNOWN	BOX	CONC	3X6
LC240	OAT COLES RD	0.13 MI NORTH OF MACK RD	UNKNOWN	RND	CMP	5
LC239	MASSEY RD	0.37 MI EAST OF OAT COLES RD	GOODWIN CREEK	RND	CMP	6
LC229	GOODWIN RD	AT MASSEY RD		RND	CONC	5
LC230	GOODWIN RD	AT GILMORE RD	POWER CREEK	RND	CMP	10
LC231	GOODWIN RD	0.38 MI NORTH OF HOPEWELL RD	DALE CREEK	RND	CMP	6
LC221	LINDSAY RD	60' WEST OF VAN BUREN RD	JOHNSON CREEK	RND	CMP	5
LC220	LINDSAY RD	0.22 MI WEST OF VAN BUREN RD	SUMAS RIVER	RND	CMP	5
LC243	VAN BUREN	0.12 MI NORTH OF HAMPTON RD	SUMAS RIVER	RND	CMP	5

Culvert ID No.	Road Name	Location	Stream Name	Shape	Material	Diameter
LC247	HAMPTON RD	45' WEST OF VAN BUREN	JOHNSON CREEK	RND	CONC	7
LC244	STICKNEY ISLAND RD	0.12 MI SOUTH OF TIMON RD	MORMON DITCH	RND	CMP	9
LC249	NORTHWOOD RD	0.25 MI NORTH OF HAMPTON RD	KAMM SLOUGH	RND	CONC	5
LC215	ASSINK RD	1 MI NORTH OF PANGBORN RD	FISHTRAP CREEK	RND	CMP	7.5
LC219	PANGBORN RD	20' EAST OF BENDER RD	FISHTRAP CREEK TRIB	BOX	CONC	6X3
LC218	PANGBORN RD	AT BENSON RD	FISHTRAP CREEK	BOX	CONC	6X3
LC216	PRARIE RD	WEST OF DOUBLE DITCH RD	DOUBLE DITCH	BOX	CONC	6X4
LC217	PRARIE RD	EAST OF DOUBLE DITCH RD	DOUBLE DITCH	BOX	CON	6X4
LC23	H STREET RD	AT JACKMAN RD	JACKMAN DITCH	RND	CMP	6
LC604B	STRAND RD	0.46 MI EAST OF SR 9	UNKNOWN	RND	CMP	5
LC124	SAXON RD	0.2 MI EST OF SR9	UNKNOWN	RND	CMP	4
LC1094	BLUE CANYON RD		UNKNOWN	RND	CONC	4
LC2512	EAST LAKE SAMISH	0.1 MILES FROM CEDAR ACRES	UNKNOWN	RND	CMP	4.6
LC123	ROTHENBUHLER RD		UNKNOWN	RND	CMP	4
LC2137	PARK ROAD		UNKNOWN	RND	CONC	4
LC1240	PARK ROAD		UNKNOWN	RND	CONC	4
LC2285	PARK ROAD		UNKNOWN	RND	CONC	4
LC2142	PARK ROAD		UNKNOWN	RND	CONC	4
LC2143	PARK ROAD	1.5 MILES E. OF SOUTH BAY DRIVE	UNKNOWN	RND	CONC	4.5
LC219	INNIS CREEK ROAD		INNIS CREEK	RND		4
LC129	SAXON ROAD	AT FISH HATCHERY OUTFLOW	UNKNOWN	RND	CMP	4
LC154	NORTH FORK ROAD	2.1 MILE N. OF MOSQUITO LAKE ROAD	UNKNOWN	RND	CONC	4.5
LC1515	GOODWIN ROAD	50.0 FT. NORTH OF COBRANT ROAD	GOODWIN CREEK	RND	CONC	4
LC2541	ROY ROAD	0.2 MILES W. OF AXELSON ROAD	UNKNOWN	RND	CONC	4
LC53	SILVER LAKE ROAD		UNKNOWN	RND	CONC	4
LC27	SILVER LAKE ROAD	100-FT. BEFORE 9900 SILVER LAKE ROAD	UNKNOWN	RND	CONC	4
LC1624	OCEAN ROAD	0.15 MILES FROM HOPEWELL ROAD	HOFF CREEK	RND	CMP	4

Culvert ID No.	Road Name	Location	Stream Name	Shape	Material	Diameter
LC-CENTRAL	CENTRAL ROAD	BETWEEN NOON AND HANNEGAN ROAD	UNKNOWN	RND	CMP	6
LC1900	EVERSON GOSHEN ROAD	250-FT SOUTH OF KELLY ROAD	MCCORMICK CR	RND	CONC	4
LC201	Y ROAD	0.5 MILES E. OF STATE ROUTE 542	UNKNOWN	RND	CONC	4
LC287	ALDRICH ROAD		DEER CREEK	RND	CONC	4
LC94	SAND ROAD	JUST SOUTH OF SMITH ROAD INTERSECTION	UNKNOWN	RND	CONC	4
LC1878	VAN WYCK ROAD	JUST WEST OF POWER LINES	BAKER CREEK	RND	CONC	4
LC3248	MITCHELL ROAD	NEXT TO HIGHSCHOOL BASEBALL FIELD	UNKNOWN	RND	CMP	4
LC192	SAND ROAD	NORTH OF SMITH ROAD	UNKNOWN	RND	CONC	4
LC1976	BAKerview ROAD	200-FT WEST OF DEWEY ROAD	TOAD CREEK	RND	CMP	4
LC1977	BAKerview ROAD		TOAD CREEK	RND	CMP	4
LC663	NOON ROAD	BETWEEN 5901 AND 5904 NOON ROAD	SHUKSAN CREEK	RND	CMP	4
LC430	EVERSON GOSHEN ROAD	0.3 MILES NORTH OF E. SMITH ROAD	TEN MILE CREEK	RND	CMP	4
LC333	EAST AXTON ROAD		DEER CREEK	RND	CONC	4
LC2372	PACIFIC HIGHWAY		UNKNOWN	BOX	CONC	4X4
LC3106	FERNDALE ROAD	JUST SOUTH OF NOOKSACK LEVEE	UNKNOWN	RND	CMP	4
LC2500	DEAL ROAD		UNKNOWN	RND	CONC	4.5
LC2196	HAMPTON ROAD	0.2 MILES EAST OF NORTHWOOD ROAD	MORMON DITCH	RND	CONC	4.5
LC2293	RURAL AVENUE		UNKNOWN	RND	CONC	4
LC2043	MARINE DRIVE	WEST OF BANCROFT ROAD	AIRPORT CREEK	RND	CONC	4
LC2927	ELDER ROAD	NORTH OF SLATER ROAD	JORDAN CREEK	RND	CONC	4
LC670	NOON ROAD	0.5 MILES NORTH OF POLE ROAD	UNKNOWN	RND	CMP	4
LC2238	HOLZ ROAD	0.2 MILES SOUTH OF VAN DYKE ROAD	E. FORK ELDER CREEK	RND	CONC	4
LC2495	LAKE WHATCOM BOULEVARD		UNKNOWN	RND	CONC	4
LC2463	LAKE WHATCOM BOULEVARD	200-FT NORHT OF SOUTH BAY ROAD	UNKNOWN	RND	CMP	4

Culvert ID No.	Road Name	Location	Stream Name	Shape	Material	Diameter
LC2564	SOUTH BAY DRIVE	JUST EAST OF ADDRESS 3433	UNKNOWN	RND	CONC	4
LC2488	LAKE WHATCOM BOULEVARD	AT INTERSECTION OF SOUTHERN COURT ROAD	UNKNOWN	RND	CONC	4
LC2314	WEST POLE ROAD	10-FT WEST OF ALDRICH ROAD	UNKNOWN	RND	CONC	4
LC278	ALDRICH ROAD	1.2 MILES NORTH OF NORTHWEST AND ALDRICH INTERSECTION	UNKNOWN	RND	CONC	4
LC296	ALDRICH ROAD	300-FT SOUTH OF POLE ROAD	UNKNOWN	RND	CONC	4
LC363	JACKMAN ROAD	10-FT NORTH OF BADGER RD INTERSECTION	UNKNOWN	RND	CONC	4.5
LC2052	ABBOT ROAD	10-FT EAST OF HANNEGAN ROAD	UNKNOWN	RND	CONC	4
LC1266	PANGBORN ROAD	10-FT EAST OF DEPOT ROAD	UNKNOWN	RND	CONC	4
LC1785	VAN BUREN ROAD	NORTH OF 9007 VAN BUREN ROAD	UNKNOWN	RND	CONC	4
LC1786	VAN BUREN ROAD	NORTH OF 9007 VAN BUREN ROAD	UNKNOWN	RND	CONC	4
LC1609	WEST BADGER ROAD	AT WEIDKAMP ROAD	UNKNOWN	RND	CONC	4
LC2102	MOUNTAIN VIEW ROAD	500-FT EAST OF NORTH STAR ROAD	UNKNOWN	RND	CONC	4
LC2882	BARR ROAD	0.3 MILES NORTH OF UNICK ROAD	JORDAN CREEK	RND	CONC	4
LC682	NORTHWEST DRIVE	50 FT NORTH OF STRIDER ENTRANCE	BEAR CREEK	RND	CONC	4
LC683	NORTHWEST DRIVE		BEAR CREEK	RND	CONC	4
LC1605	WEST BADGER ROAD	NEAR GLENDALE ROAD INTERSECTION	BERTRAND CREEK TRIB	RND	CONC	4
LC550	DELTA LINE ROAD	250 FT NORTH OF WEST BADGER ROAD	UNKNOWN	RND	CONC	4
LC598	HAYNIE ROAD	100 FT EAST OF STEIN ROAD	UNKNOWN	RND	CONC	4
LC1360	VALLEY VIEW ROAD	NORTH OF ARNIE ROAD	UNKNOWN	RND	CMP	4
LC1378	CREASY ROAD	NEAR 3083 CREASY ROAD	UNKNOWN	RND	CMP	4
LC915	VISTA ROAD	NEAR FOX ROAD INTERSECTION	UNKNOWN	RND	CMP	4
LC974	BAY ROAD	0.3 MILES WEST OF VALLEY VIEW ROAD	CAMPBELL CREEK	RND	CONC	4

Culvert ID No.	Road Name	Location	Stream Name	Shape	Material	Diameter
LC2873	ALDERGROVE ROAD	0.8 MILES WEST OF NORTH STAR ROAD	TERRELL CREEK	RND	CMP	5
LC1306	KICKERVILLE ROAD	0.1 MILES SOUTH OF LOOMIS TRAIL ROAD	UNKNOWN	RND	CONC	4.5
LC619	MCGEE ROAD	0.2 MILES EAST OF GILES ROAD	UNKNOWN	RND	CONC	4
LC2623	LEESIDE DRIVE	100 FT SOUTH OF ALDERSON ROAD	UNKNOWN	RND	CONC	4
LC1028	LOOMIS TRAIL ROAD	0.4 MILES WEST OF PORTAL WAY	UNKNOWN	RND	CONC	4
LC-SAMISH	NORTH LAKE SAMISH DRIVE	500 FT SOUTH OF SHELL STATION	UNKNOWN	BOX	CONC	9
LC936	HAM ROAD	0.5 MILES SOUTH OF BBL ROAD	UNKNOWN	RND	CONC	4.5
LC1292	PORTAL WAY	160 FT SOUTH OF WEST LOOMIS TRAIL ROAD	UNKNOWN	BOX	CONC	4X3
LC1289	PORTAL WAY	0.66 MILES NORTH OF WEST LOOMIS TRAIL ROAD	UNKNOWN	BOX	CONC	4
LC1567	SUNRISE ROAD	200 FT SOUTH OF H STREET ROAD	UNKNOWN	RND	CMP	4.5
LC628	PIPELINE ROAD	300 FT EAST OF HARVEY ROAD	SPOONER CREEK	RND	CMP	4.5